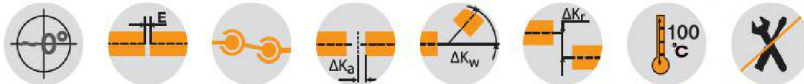


BoWex® AS and Spec.-I Curved-tooth gear coupling®

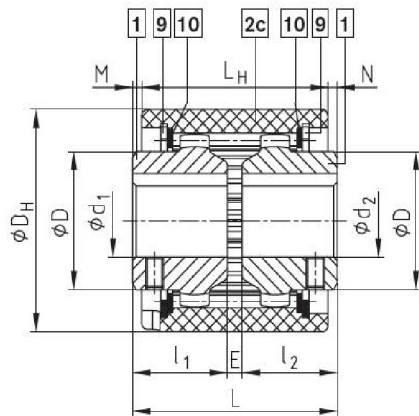
Compact and maintenance-free



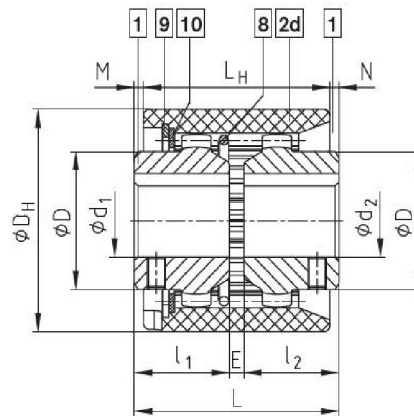
For legend of pictogram please refer to flapper on the cover



Components



Type AS



Type Spec.-I

BoWex® type AS and type Spec.-I

Size	Pilot bore		Finish bore d1, d2	Dimensions [mm]								Weight with max. bore Ø			Mass moment of inertia J with max. bore Ø			
	Unbored	Pilot bored		max.	l ₁ , l ₂	E	L	L _H	M, N	D	D _H	Hub length. l ₁ , l ₂ max.	Sleeve [kg]	Hub [kg]	Total [kg]	Sleeve [kgcm ²]	Hub [kgcm ²]	Total [kgcm ²]
24	x	-	Finish bores see stock programme	24	26	4	56	51	2,5	36	50	0,11	0,14	0,39	0,38	0,36	1,10	
28	x	-		28	40	4	84	56	14	44	70	0,16	0,33	0,82	1,54	1,22	3,98	
32	x	-		32	40	4	84	58	13	50	84	0,21	0,43	1,07	2,75	2,17	7,09	
45	x	-		45	42	4	88	60	14	65	100	0,27	0,63	1,53	5,49	5,66	16,81	
65	-	21		65	55	4	114	84	15	96	140	0,84	2,10	5,00	29,83	43,96	117,8	
80	-	31		80	90	6	186	93	46,5	124	178	-	1,30	5,20	11,70	83,20	150,8	384,8
100	-	38		100	110	8	228	102	63	152	210	-	2,05	9,40	20,80	184,4	401,3	987,0
125	-	45	125	140	10	290	134	78	192	270	-	4,32	19,44	43,10	620,0	1362,3	3344,6	

Ordering example:	BoWex® 32 AS	d ₁ Ø32	d ₂ Ø32
	Size and type of coupling AS or Spec.-I	Finish bore H7 keyway to DIN 6885 sheet 1 (JS9)	Finish bore H7 keyway to DIN 6885 sheet 1 (JS9)